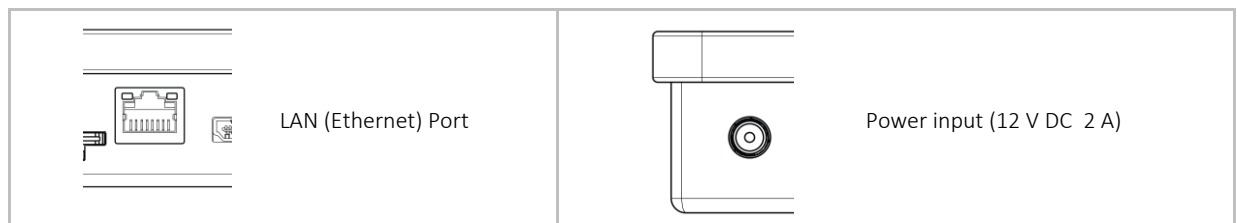


PRODUCT DESCRIPTION

## Electrical Connections

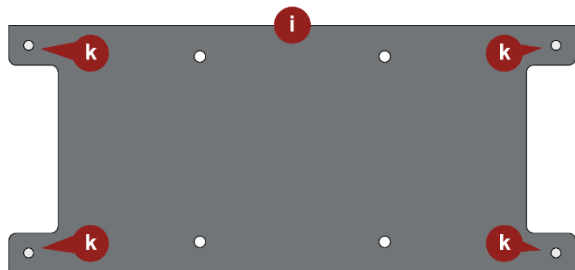
The eXplore device requires the following electrical connections:



## Mounting Options

### Panel Mounting

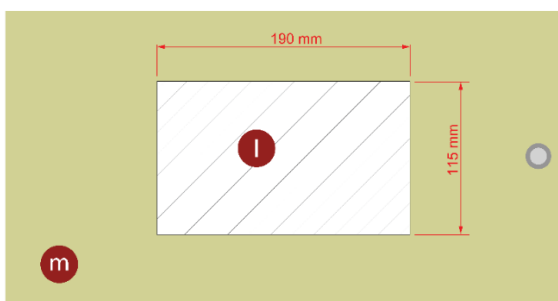
A Panel Mounting plate and 4 fixing screws are included as standard in the eXplore kit.



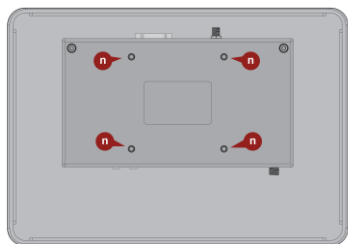
- i** Panel Mounting plate
- k** M4 screws

### Mounting procedure

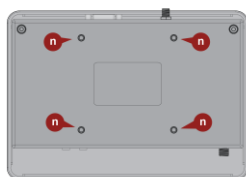
Cut a rectangular hole 190 wide long by 115mm high hole in the panel / cabinet door.



- l** Hole to be cut out
- m** Panel door



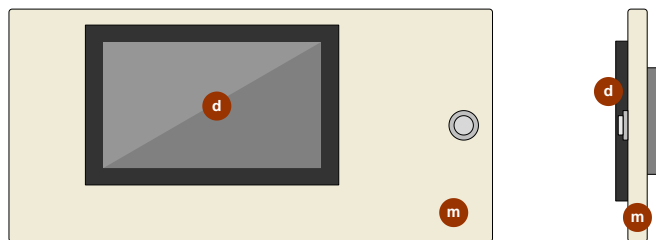
eXplore-C10



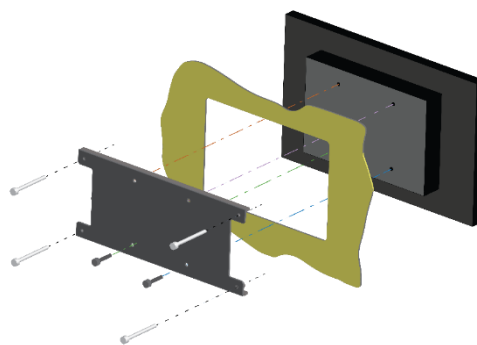
eXplore-C7

- n** 4 x VESA 75 screw holes (4 x M4 screws included in packaging)

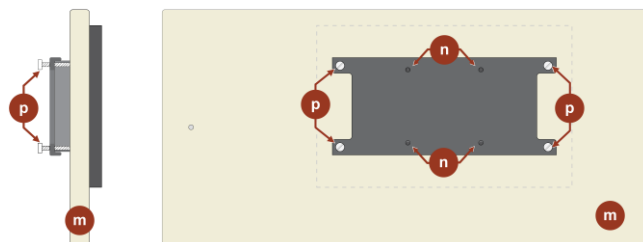
Mount the eXplore device so that its front side is against the front of the panel door, and the body is passing through the hole cut in the door.



- d** eXplore
- m** Panel door

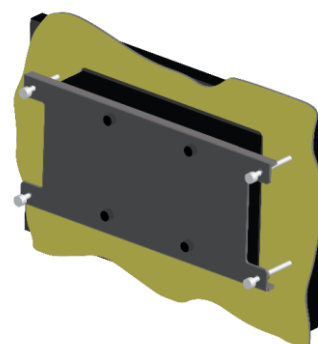


Place the back plate against the back of the eXplore unit and re-insert the 4 x VESA 75 screws.



- n** 4 x VESA 75 screws (included in packaging)
- p** M4 mounting screws

Tighten the M4 mounting screws **P** on the bracket to apply appropriate pressure to secure the device against the panel door.



Wire up Power and Ethernet connections.