

AF-DPR-AP Precision Damper Assembly with Cross Pitot Primary

DESCRIPTION

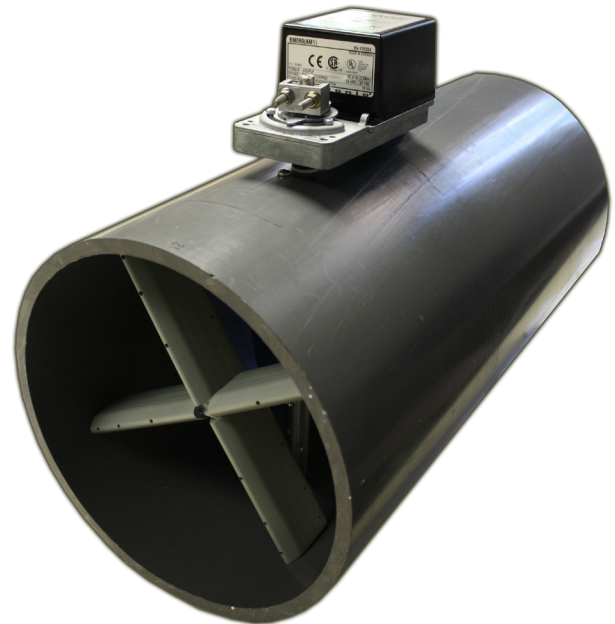
The AF-DPR-AP is a precision PVC damper with an AF-ACT-1 actuator and AF-XPP cross pitot. The DPR-AP is best suited to applications where both measurement and control are required in one integrated unit. By combining devices for measurement and control into one unit, the overall length can be held to a nominal 2 diameters because the orientation between the damper and the pitot can be controlled.

If the devices were installed separately, the recommended overall assembly length would increase by 2 diameters. With a nominal length of 2 diameters, in-line actuator mounting is recommended.

The AF-DPR-AP is comprised of the AF-XPP™ (Cross Pitot Primary) and the AF-DPR-XX-A (Precision Damper Assembly). Please refer to the respective datasheets for specific information on these components.

APPLICATIONS

- ▼ Continuous measurement and control of air or compatible gas
- ▼ Mass flow measurement (with temperature correction) and control
- ▼ Laboratory exhaust flow control
- ▼ Room supply and exhaust flow control
- ▼ Replace VAV boxes for critical applications
- ▼ Volumetric synchronization of laboratories and buildings
- ▼ Ensure required room air changes
- ▼ Measurement for regulatory compliance



ADVANTAGES

- ▼ Accuracy can be improved with in place calibration
- ▼ Measurement and control in one integrated unit
- ▼ Low unrecovered pressure loss
- ▼ Resists plugging
- ▼ "Low Noise" operation
- ▼ All materials in contact with the flowing stream made of chemically inert PVC or Stainless Steel

OPERATION

Due to the velocity averaging aspect of the specially ported total pressure sensing holes, the DPR only requires two straight duct-runs upstream, and one straight duct-run downstream.

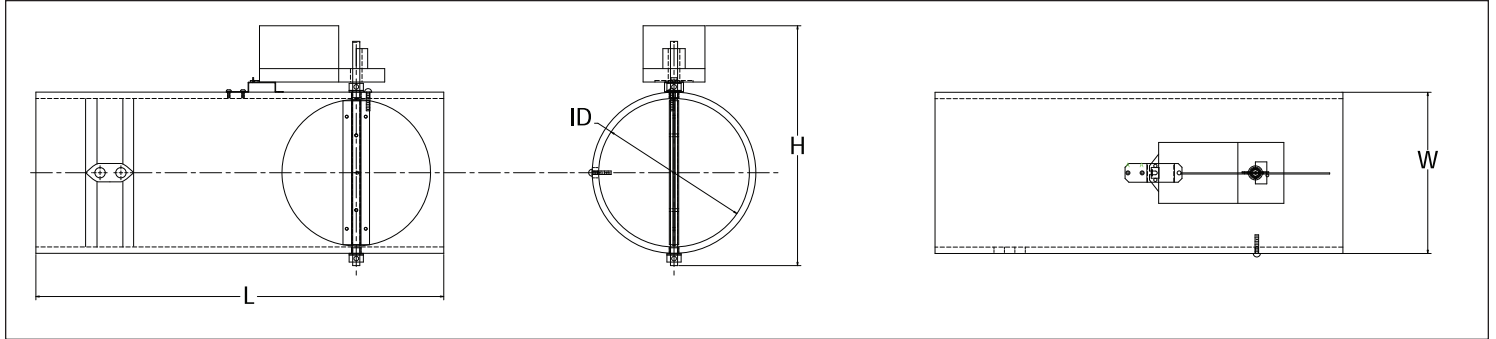
Operation with other than standard conditions will require in-place calibration for maximum accuracy. The flow control system can easily accommodate temperature input for mass flow calculations. Temperature effects the pitot measured mass flow by about 1% per 10° F (5.6° C).

When used with the AF-ACT-1 actuator, and configured in the normally open position, loss of power will cause the damper to fail in the 70% open (or greater) position.

OPERATIONAL NOTES

1. Unless otherwise stated, the damper will be configured in the normally open mode (damper is in the fully open position on loss of power).
2. In-line actuator mounting is the most common configuration.
3. The damper default position is normally open. It may be field changed to normally closed.
4. Cross flow pitot is supplied with 1/8 NPT brass pressure fittings

PHYSICAL DIMENSIONS



MODEL	L in. (cm)	W in. (cm)	H in. (cm)	ID in. (cm)
AF-DPR-08-AP	21.5 (54.61)	8.63 (21.92)	12.83 (32.59)	7.94 (20.16)
AF-DPR-10-AP	29.0 (73.66)	10.75 (27.31)	14.95 (37.97)	9.98 (25.27)
AF-DPR-12-AP	29.0 (73.66)	12.75 (32.39)	16.95 (43.05)	11.89 (30.20)

ORDERING INFORMATION

AF-DPR-08-AP 8 in. damper, PVC casing and pitot

AF-DPR-10-AP 10 in. damper, PVC casing and pitot

AF-DPR-12-AP 12 in. damper, PVC casing and pitot



American Auto-Matrix products and systems are manufactured and installed under one or more of the following US patents and/or others that may apply.
5,764,579; 6,272,399; 5,920,488; 5,946,221; 5,481,919; 5,402,687; 5,415,583



American Auto-Matrix
One Technology Lane
Export, PA 15632
1-877-AAM-HVAC (226-4822)

aam@aamatrix.com
www.aamatrix.com

This document must not be copied in part or in whole for any purpose other than that which it was intended, and does not constitute any warranty, expressed or implied. Every effort has been made to ensure that all information was correct at the time of publication. Should a variation in information or data between the English version and translated versions of this document occur, the English variant takes precedence. AAM reserves the right to alter the specifications, performance, capabilities, and presentation of this product at any time. Appropriate safety precautions must always be taken when operating or maintaining equipment connected to any American Auto-Matrix product, licensed materials, or hardware. AAM assumes no responsibility or liability for any injuries or damage to any persons or property resulting from the use of these products. As always, these products should be used in the manner they are intended. Modbus, Modbus RTU, and Modbus TCP/IP are registered trademarks of Modbus Organization, Inc. Java, JavaScript, and MySQL are either registered trademarks or trademarks of Oracle Corporation in the United States and other countries. Microsoft, and Windows are either registered trademarks or trademarks of Microsoft. Intel and Intel-VT are either registered trademarks or trademarks of the Intel Corporation. AMD and AMD-V are either registered trademarks or trademarks of Advanced Micro Devices, Inc. Linux is a registered trademark of Linus Torvalds. iCal is a registered trademark of Apple, Inc. BACnet and BACnet International are registered trademarks of ASHRAE. Broadcom is a registered trademark of the Broadcom Corporation. USGBC and related logo is a registered trademark of U.S. Green Building Council and is used with permission. American Auto-Matrix, Smart Building Solutions, the Rocket-A, Aspect, Aspect-Enterprise, Aspect-Nexus, Aspect-Facility, Aspect-Matrix, Aspect-eSC MAX, Aspect-Studio, and vSTAT are either registered trademarks or trademarks of American Auto-Matrix.

